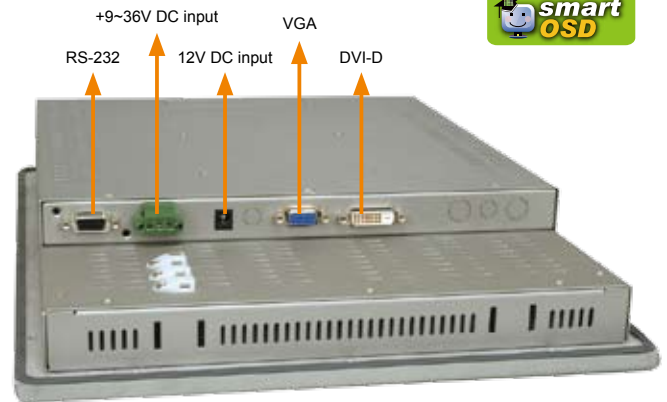


TDM-121/150GMS

12.1"/15" Wide Range Temperature TFT LCD Monitor



Features

1. Wide Operating Temperature: -30°C~+70°C
2. 12.1" XGA High Resolution
3. Superior Image
4. M models support 9~36V DC power input for mobile application
5. DVI-D and Analog VGA input interface for comprehensive usage
6. IP 65 Compliant

Wide Temperature

High-Brightness
450cd/m²

XGA
1024X768

IP65

Wide Viewing Angles

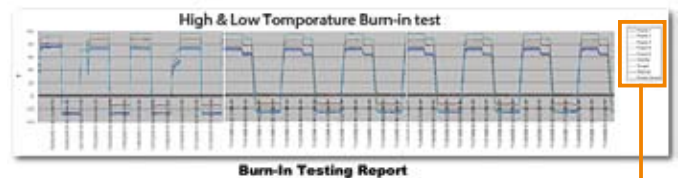
50,000 Hours Long Lifetime

Specifications

Model	TDM-121GMS-R11	TDM-150GMS-R11
LCD Size	12.1"	15"
Max Resolution (H x V)	1024 x 768 (XGA)	
Brightness (cd/m ²)	450	
Contrast Ratio	700:1	
Display Color	260k	16M
View Angle (H/V)	160/160	
Pixel Pitch (mm)	0.24	0.297
Operating Temperature	-30°C ~ +70°C	
Storage Temperature	-40°C ~ +80°C	
Lamp Life Time	50000hrs	
Input Interface	Analog VGA , DVI-D	
Front Frame	Aluminum	
Chassis	Heavy-duty Steel	
OSD Function	Yes	
Smart OSD	Yes	
Input Voltage	+9~+36V DC power input	
Mounting	Wall/Panel/Rack/Arm/Stand	
Front Panel Protection	IP65 Compliant	
Net Weight	3.3kgs	6kgs
Dimension (W x H x D mm)	340 x 260 x 58	410 x 309 x 55.1

IEI Strict Design Quality Verification

Typical monitors can only be used in environments that have temperatures in the 0°C~50°C range, Extended IEI environmental testing is performed to ensure the TDM series continues to function properly over its entire service life in a wide working temperature range of -30°C to +70°C. After being tested in the -30°C to +70°C temperature range, the TDM series was found to maintain its original luminance.



Nine thermocouples record all the temperature variations during the burn-in test and the TDM monitor functions during the test.

12.1" XGA Resolution: 1024X768

The TDM-121GMS supports higher resolutions and smaller pixel pitches (0.24mm versus 0.24mm) to deliver great computer displays.



TDM-121GMS

High Brightness: 450cd/m²

With a luminance of 450 cd/m², the TDM series offer an improvement over the 250 to 300cd/m² luminance typically available with other 12.1-inch TFT LCD modules. The high-brightness feature ensures the screen content is highly visible in all lighting conditions

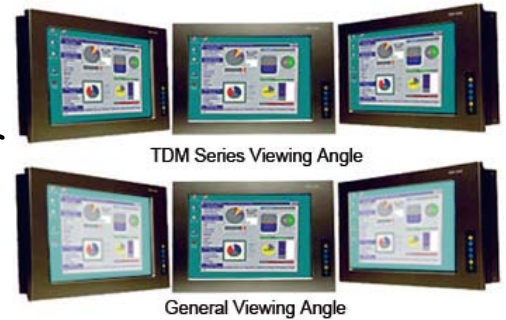
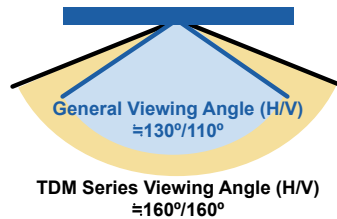


Normal Brightness

High Brightness

Wide Viewing Angles:160°

Typical small size monitors only support 130°/110° (H/V) viewing angle, but IEI TDM series can support maximum of viewing angle up to 160°/160° (H/V). Wide viewing angles let you not lose the screen brightness and possibly a change of displayed colors, when you view the monitor from the side.



TDM Series Viewing Angle

General Viewing Angle

Mounting Kits Information

	TDM-121GMS	TDM-150GMS
Panel Mount Kit	PK-170M	PK-170M
Wall Mount Kit	WK-190MS-R10	WK-190MS-R10
Stand	STAND-100-RS/STAND-150-RS	STAND-200-RS
Arm	ARM-11-RS	ARM-31-RS
Rack Mount Kit	RK-121MS-R10	RK-150MS-R10

Packing List

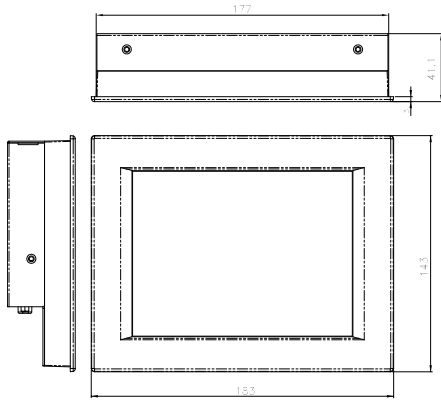
1 X TDM LCD monitor	1 X Screw set
1 X Power cable for terminal block	1 X Touch Panel RS-232 Cable/Touch Pen/Driver CD-ROM (For T-R model only)
1 X VGA cable	1 X 45W AC power adapter / AC power card (Operating Temperature : 0°C~ +40°C)
1 X User manual on CD-ROM	

Ordering Information

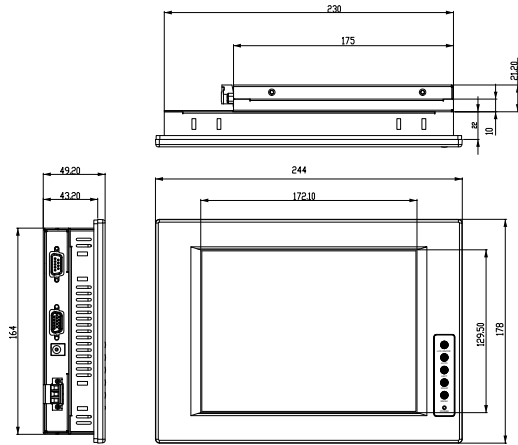
Note: The smartOSD function is supported by revision 11 models and above

TDM-121GMS-R11/T-R	12.1" 450cd/m ² XGA LCD Monitor, Aluminum Front Panel, W/12.1" Touch Screen, 9~36V input DC input, -30°C ~ +70°C Operating Temperature,RoHS
TDM-121GMS-USB-R11/T-R	12.1" 450cd/m ² XGA LCD Monitor, Aluminum Front Panel, W/12.1" USB Touch Screen, 9~36V input DC input, -30°C ~ +70°C Operating Temperature,RoHS
TDM-150GMS-R11/T-R	15" 450cd/m ² XGA LCD Monitor, Aluminum Front Panel, W/15" Touch Screen, 9~36V input DC input, -30°C ~ +70°C Operating Temperature,RoHS
TDM-150GMS-USB-R11/T-R	15" 450cd/m ² XGA LCD Monitor, Aluminum Front Panel, W/15" USB Touch Screen, 9~36V input DC input, -30°C ~ +70°C Operating Temperature,RoHS

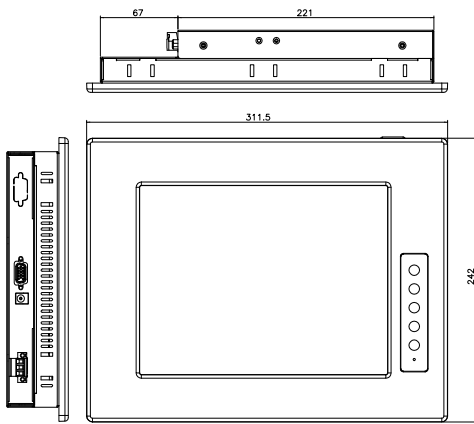
DM / TDM / SRM Series Dimensions



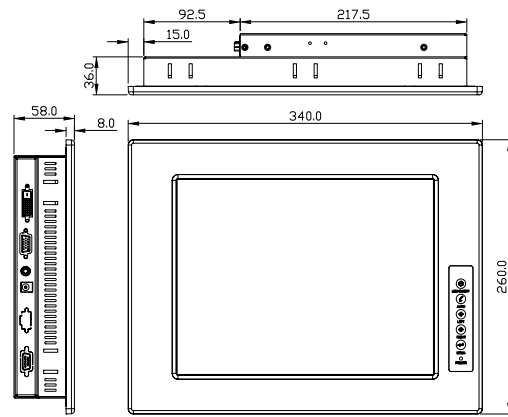
DM-65GS



DM-84GS



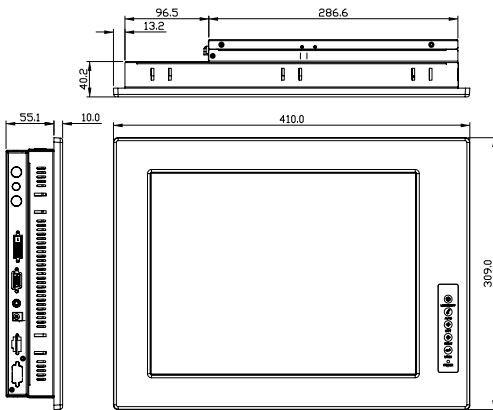
DM-104GS



DM-121GS

TDM-121GMS

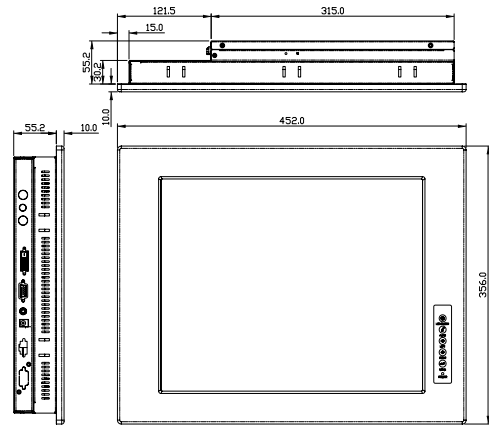
SRM-121GS



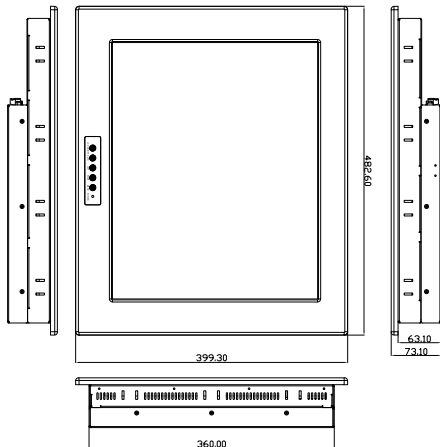
DM-150GS

TDM-150GMS

SRM-150GS



DM-170GS



DM-190GS

